

SAIL AREAS AND DIMENSIONS				
SAIL	LUFF	LEECH	FOOT	AREA
MAIN	12360 40.55'	12875 42.25'	4360 14.3'	39.7sq.m. 429 sq.ft.
JIB	10450	9235	4115	20.2sq.m. 218 sq.ft.
SCREACHER	11890	10610	7865	41.6sq.m. 449 sq.ft.
SPINN'R	13780	12100	9070	92.2sq.m. 996 sq.ft.

NOTES:

Square Top Mainsail as shown is required to be Class legal.

Mainsail is designed to be almost flush with the top of the mast as shown – do not shorten luff, which has cutout as shown for halyard clearance.

Vertical Batten to be used at head to ensure head stands vertical.

Mainsail to have Cunningham eye fitted.

Class emblem located and sized as shown.

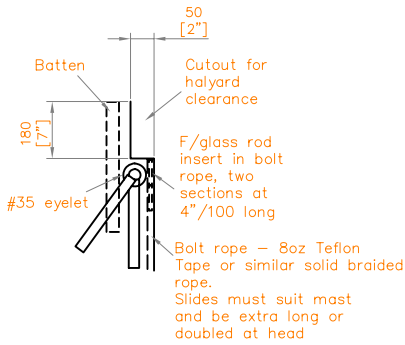
Mainsail has 2 sets of reefpoints, positioned as shown.

Mainsail battens to be parallel with boom or only slightly angled up as shown for easy roller furling.

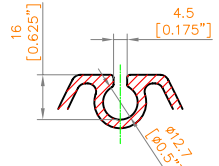
Jib hanks to be for 9/32" wire.

All sails are to be fitted with telltales.

All eyelets and reinforcing must be extra heavy to suit the very high loads possible with a multihull.



HEAD DETAIL



BOLT ROPE MAST SECTION

